



\$395
Model Shown

**LC601 Series
Tension/Compression**

0-1 to 0-25 lb
0-4.5 to 0-100 N

1 Newton = 0.2248 lb
1 daNewton = 10 Newtons
1 lb = 454 g
1 t = 1000 kg = 2204 lb

- ✔ 4-Direction Overload Stops
- ✔ High Quality All Stainless Steel Construction
- ✔ Rugged Industrial Design
- ✔ FM/CSA Approved Intrinsically Safe Standard
- ✔ 5-Point Calibration Provided

The OMEGADYNE™ Model LC601 is an extremely low capacity industrial load cell with built-in overload stops in all four directions for added durability. The LC601 offers high accuracy, and a rugged design in a small package. They are ideal for small scales and industrial weighing applications.

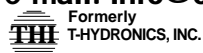
**For Sales and Service
In U.S.A. and Canada**

1-800-872-3963SM
1-800-USA-DYNE

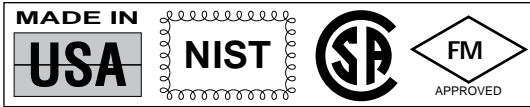
**International Customers Dial
(614) 965-9340**
24-Hour FAX (614) 965-9438

OMEGADYNESM FAX
OMEGADYNE's 24-Hour
On-Line Publishing Service
1-800-344-3963SM
1-800-DIG-DYNE
Document # 3628

OMEGADYNE, Inc.
149 Stelzer Court, Sunbury, OH 43074
<http://www.omegadyne.com>
e-mail: info@omegadyne.com



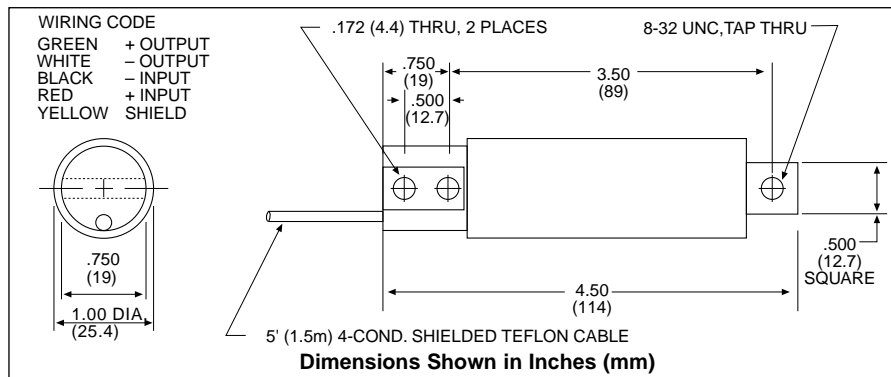
© COPYRIGHT 1996 OMEGADYNE, INC. ALL RIGHTS RESERVED.



**SPEC SHEET
LC601**

*Interchangeable with
Model TC-BB*

**LOW RANGE CONSTANT
MOMENT BEAM LOAD CELL**
with 4-Direction Overload Stops



SPECIFICATIONS:

Output: 2 mV/V ±0.25%
Excitation: 10 V ac/dc, 15 V max.
Accuracy Class: ±0.03% FSO
Calibrated at 0%, 50%, 100%, 50%, 0%
Linearity: ±0.03% FSO
Hysteresis: ±0.03% FSO
Repeatability: ±0.02% FSO
Zero Balance: ±1.0% FSO
Agency Approvals: FM/CSA
IS/I.II.III/1/CDEFG
Operating Temperature Range:
-34 to 82°C (-30 to 180°F)

Compensated Temperature Range:
16 to 71°C (60 to 160°F)

Thermal Effects:
Zero: ±0.0025% FS/°F
Span: ±0.0010% Rdg/°F
Safe Overload: 150% of rated capacity
Ultimate Overload: 300% of capacity
Input Resistance: 360 ohms minimum
Output Resistance: 350 ±5 ohms
Full Scale Deflection: 0.005 to 0.010 Typ
Construction: Stainless Steel
Electrical Connections: 5 ft (1.5m) Teflon 4-conductor shielded color

► **Most Popular Models Highlighted** ◀

Prices Shown in U.S. Dollars

To Order: (Specify Model Number)			
Capacity (lb)	Model Number	Price	Compatible Meters
±1	LC601-1	\$395	INFW, INFS, INFCS
±5	LC601-5	395	INFW, INFS, INFCS
±10	LC601-10	395	INFW, INFS, INFCS
±25	LC601-25	395	INFW, INFS, INFCS

Interchangeable with Model TC-BB

Metric Ranges Available - Consult Engineering

Ordering Examples: 1.) LC601-5 is a 5 lb capacity load cell, \$395.
2.) LC601-10 is a 10 lb capacity load cell, \$395.

Printed On Recycled Paper

